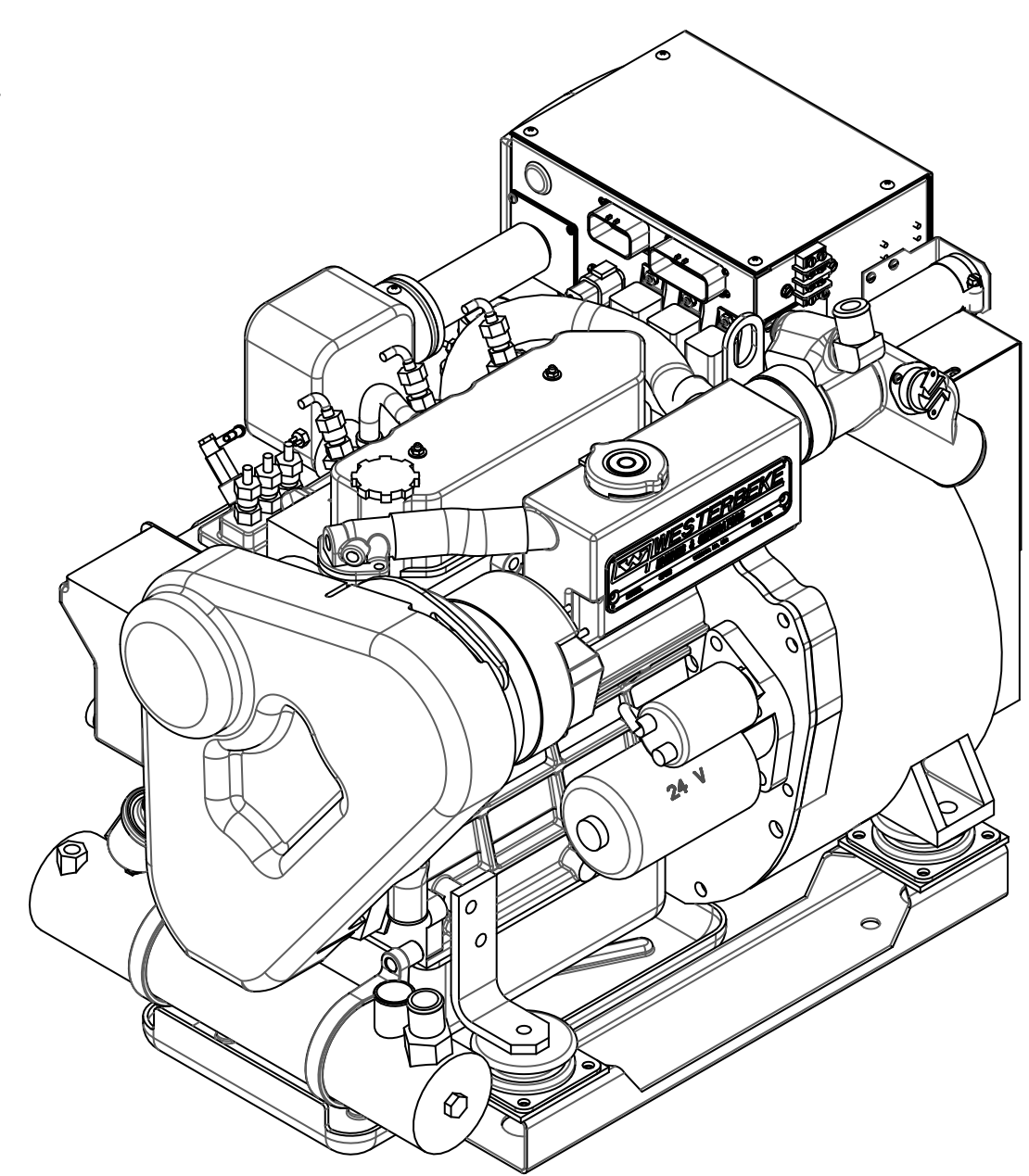
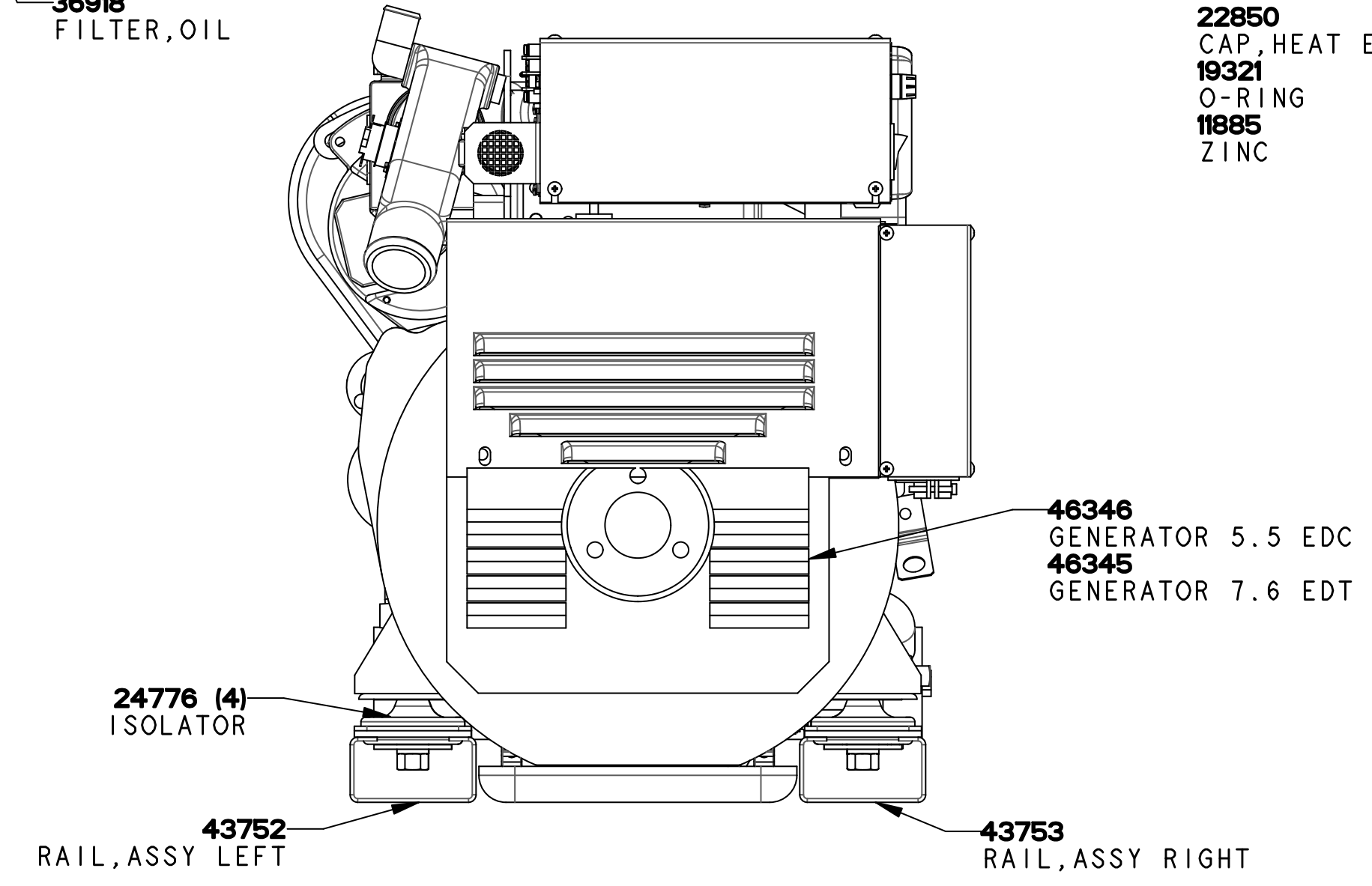
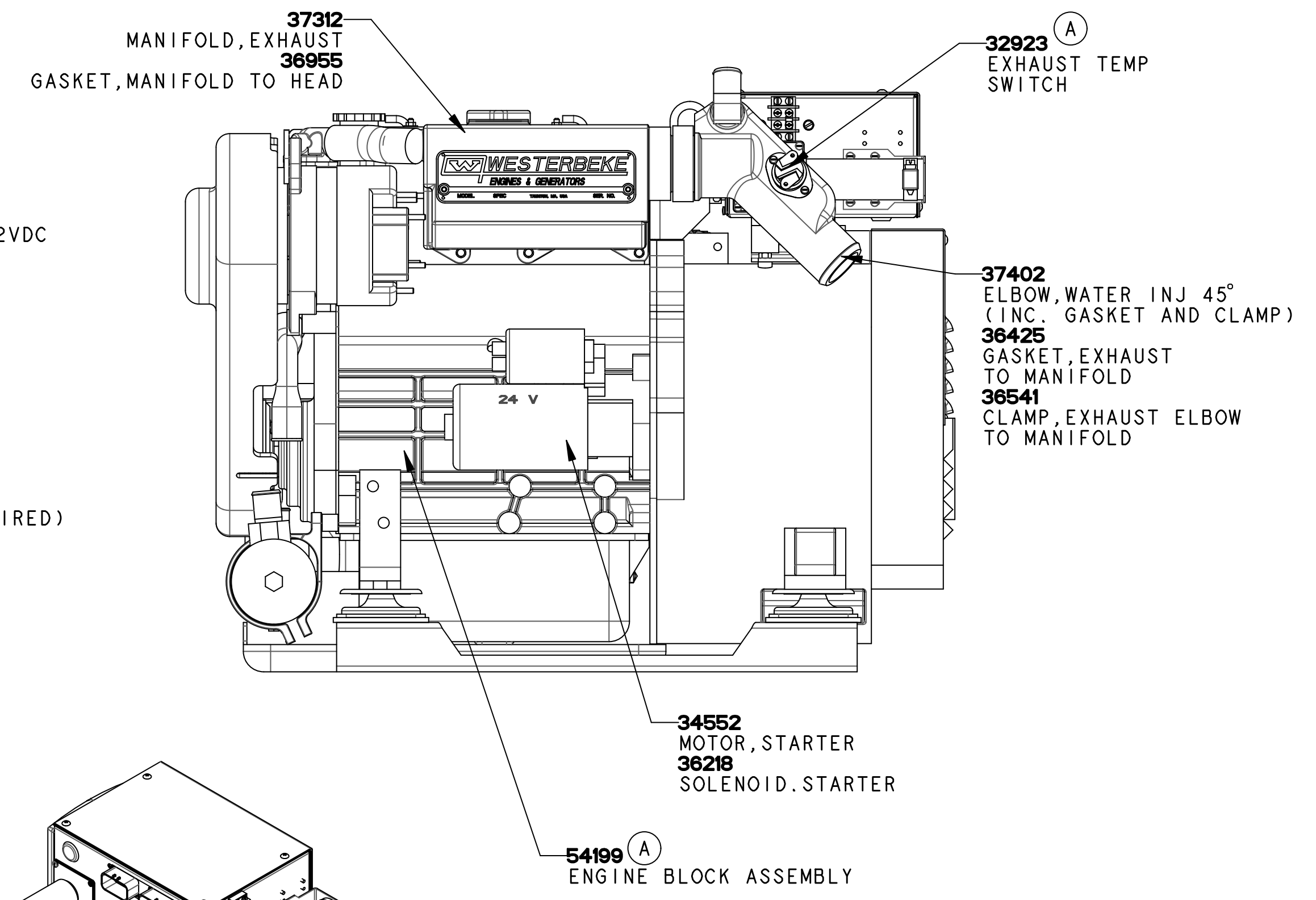
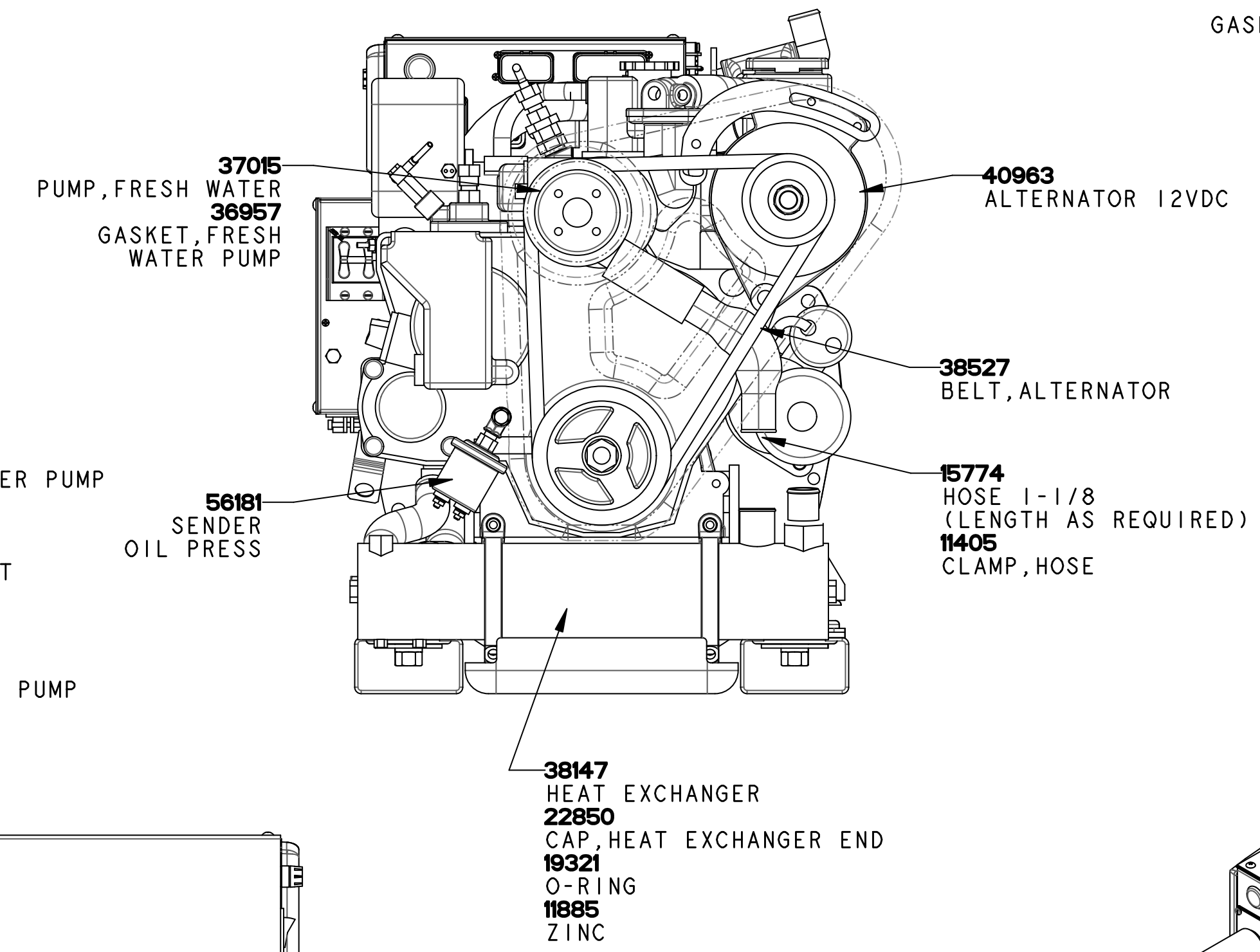
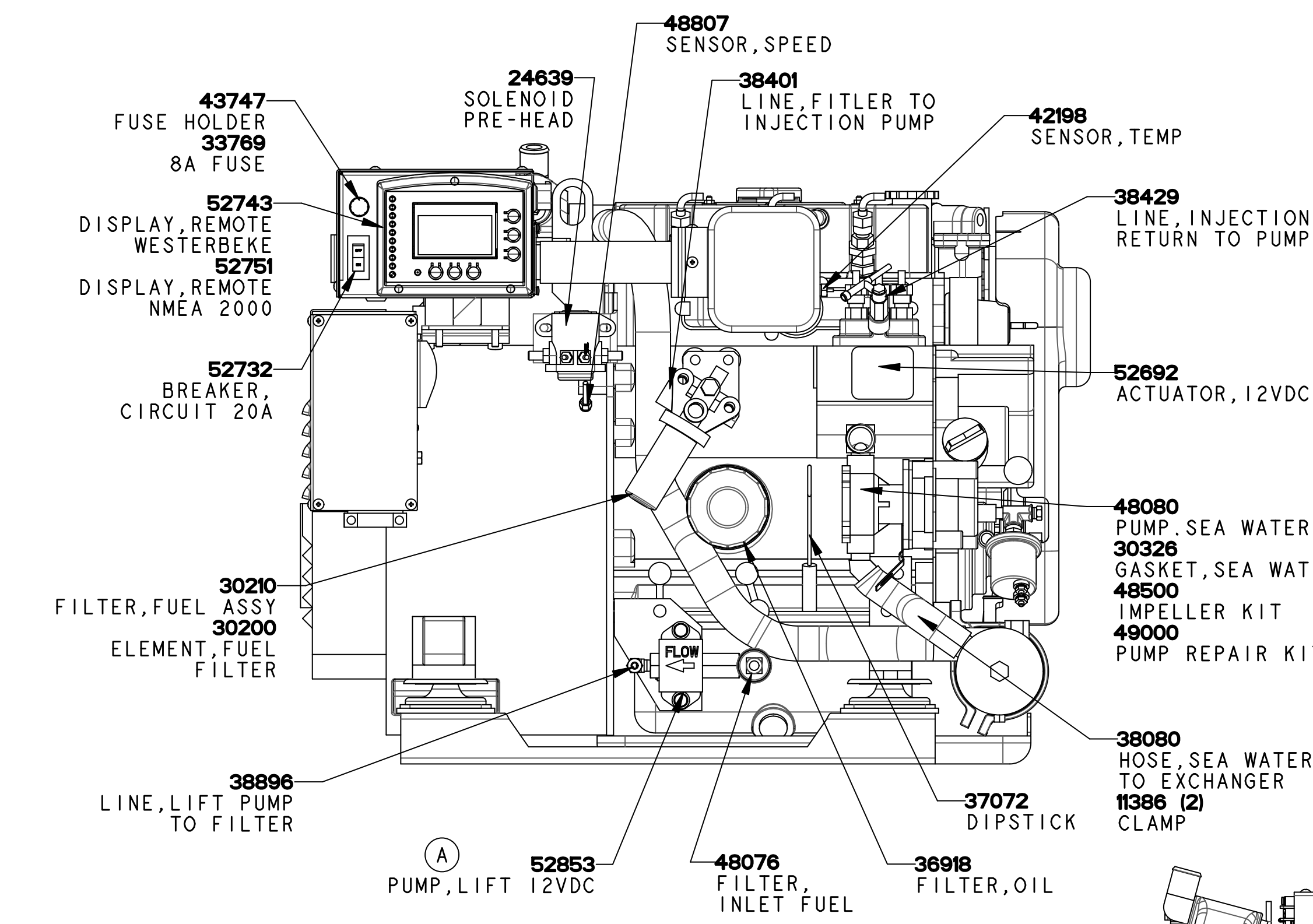


P/N	DESCRIPTION
53002	MANUAL, OPERATOR 5.5 EDC
54560	MANUAL, SERVICE 5.5EDC, 7.6 EDT
52793	WIRING DIAGRAM
41517	KIT A 5.5 EDC/7.6 EDT
41518	KIT B 5.5 EDC/7.6 EDT
45050	HOSE KIT 5.5 EDC/7.6 EDT
37116	GASKET SET, UPPER 30B, 7.6 BTD



MODEL:
5.5 EDC 60Hz / 5.0 EDC 50Hz
6.5 EDT 60Hz / 5.0 EDT 50Hz
7.6 EDT 60Hz / 5.7 EDT 50Hz

TOLERANCES (UNLESS OTHERWISE NOTED)		TITLE	
INCHES	MILLIMETERS	PARTS CALLOUT DRAWING	
.XX : .02	X. ± 1.0	DRAWN BY	DATE
.XXX : .005	.X ± .5	APPROVED BY	DATE
CAST : .03	.XX ± .13	MATERIAL:	---
ANGLES: .5°		SCALE 0.25	SIZE
FINISH: S		SHT. 1 OF 1	D
			54564
			C